

Brillite 3" Bracket Mount Light Head

WS84 & WS85 series

FEATURES

Operation Voltage
10-30VDC

LEDs
4pcs 4 watt

Lens
Clear Polycarbonate

Housing
Die-cast Aluminum

Mounting Type
L-bracket
U-bracket

Cable
0.3m

Waterproof
IP67, IP69K

Operating Temperature
-40°C ~ +65 °C

Storage Temperature
-20°C ~ +65 °C

Weight

Approval
ECE R10
ECE R65 Class 2
SAE J595 Class 1
California Title 13 Class B



Vertical installation

U-bracket

WS8410U 
 WS8420U 
 WS8430U 
 WS8450U 
 WS8460U 

L-bracket

WS8410L 
 WS8420L 
 WS8430L 
 WS8450L 
 WS8460L 

Horizontal installation

U-bracket

WS8510U 
 WS8520U 
 WS8530U 
 WS8550U 
 WS8560U 

L-bracket

WS8510L 
 WS8520L 
 WS8530L 
 WS8550L 
 WS8560L 

Brillite's WS84/85 series 4LED square warning light are available in single color and dual color for option, vertical and horizontal bracket which offer more flexible installation for different vehicles.

Built-in 19 selectable flash patterns including steady-burn mode.

BRILLITE

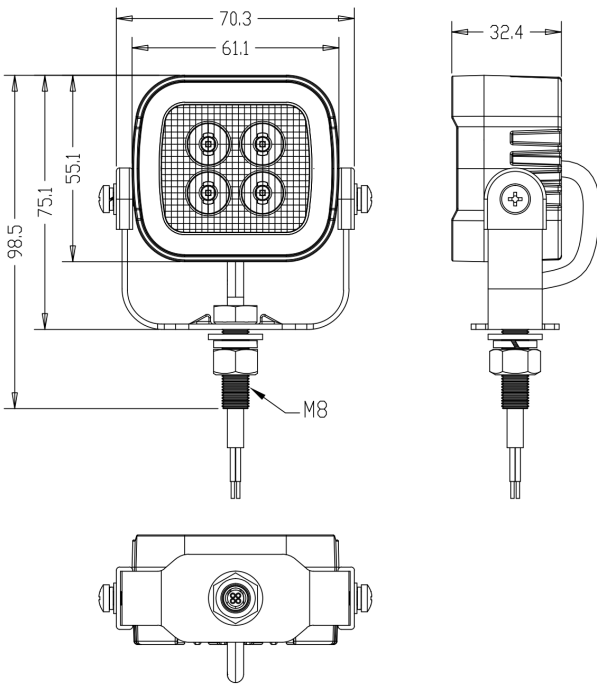
T: +86-20-8370-2610
 F: +86-20-8370-2310
 E: info@brillitelamps.com

© Copyright Brillite Electronics Technology Co., Ltd.

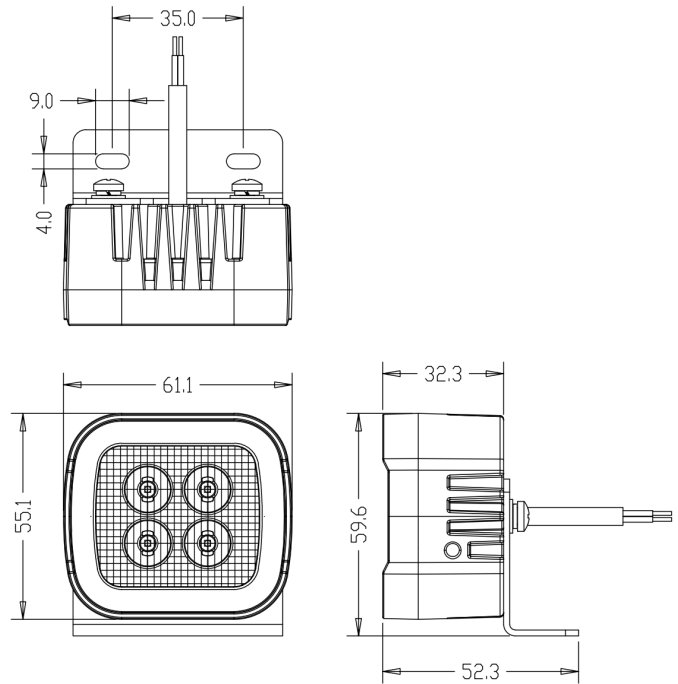
Mar 2023

Dimension

U-bracket



L-bracket



Wiring Guide

Red: Positive (+)

Black: Negative (-)

Yellow: Pattern switch & Synchronous & 10% cruise

White: Asynchronous

Green: Dimmer

Pattern Switch & 10% cruise:

Momentarily apply yellow wire to positive wire less than 3 second, once for next pattern, if it is longer than 3 seconds, then will not change pattern. Hold the yellow wire to positive to keep in 10% cruise mode.

Synchronous operation wiring:

Set all lights to the same flash pattern, connect yellow wires together, then power on.

Asynchronous operation wiring:

Set all lights to the same flash pattern, connect yellow wires together, then power on. Connect white wire to positive from the one you wish to alternate, and lights will flash alternately.

Dimmer operation:

Apply blue wire to positive to dim the lamp at any flashing pattern.

BRILLITE

T: +86-20-8370-2610
F: +86-20-8370-2310
E: info@brillitelamps.com

© Copyright Brillite Electronics Technology Co., Ltd.

Mar 2023

Flashing Mode

Pattern	Flashing Mode	FPM
1	Single flash, ECE R65 Class 2 (by day)	150
2	Double Flash	150
3	Quadruple Flash	150
4	Quintuple Flash	150
5	Strobe	1500
6	Combination 1	/
7	Combination 2	/
8	Single Flash, California Title 13	75
9	Combination 3	/
10	Alternate Single Flash	300
11	Alternate Double Flash	300
12	Alternate Quadruple Flash	300
13	Alternate Quintuple Flash	300
14	Alternate Strobe	35
15	Combination 4	/
16	Combination 5	/
17	Combination 6	/
18	Left Double Flash/Right Single Flash	/
19	Cruise (30% brightness by day)	/

*Once blue wire (dimmer switch) connected to positive:
FP#1 will be changed to Single flash, ECE R65 Class 1 (by night).
FP#2~19 will be 50% light output.

