

# Brillite 5" Slim Signal Light

## SR52 series

### FEATURES

#### Operation Voltage

10/24VDC

#### LEDs

STT: 6pcs 1W LEDs

ST/T/Rev: 6pcs 0.5W LEDs

#### Lens

Clear Polycarbonate

#### Housing

Die-cast Aluminum

#### Mounting Type

Screw: 2pcs ST3.5\*16

#### Waterproof

IP67

#### Operating Temperature

-40°C ~ +65 °C

#### Storage Temperature

-20°C ~ +65 °C

#### Weight

84g N.W.

#### Package

Box: 140\*35\*55mm

Carton: 290\*190\*290mm

50 pcs/carton

#### Cable Length

0.2m single wire

#### Approval

ECE R6

ECE R7


ECE R23



**SR52000**  **Stop / Tail / Turn**

**SR52010**  **Stop / Tail**

**SR52020**  **Turn**

**SR52030**  **Reverse**

Brillite introduces energy efficient lighting with LED technology in Our multi-volt LED signal lamps.

This LED signal lamp incorporates a long-life LED light source. Using a dedicated LED driver with pulse width modulation constant current supply combines to produce a long lasting, low power consumption and environmentally friendly LED lamp.

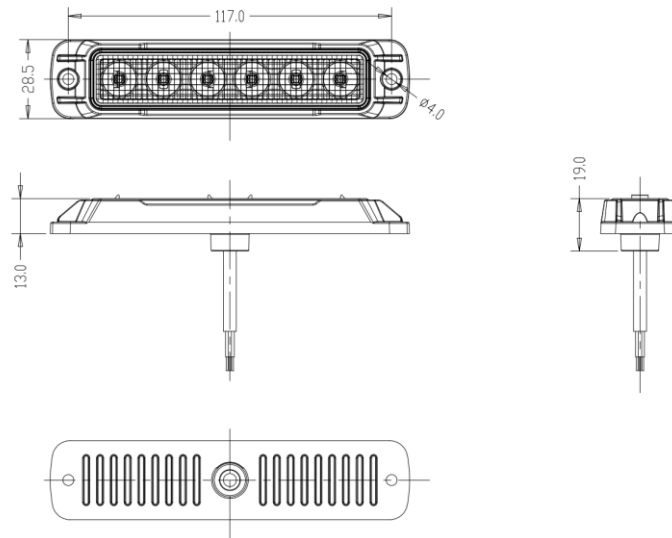
All models are suitable for various types of vehicles.

# BRILLITE

Electronics Technology Co., Ltd.

[www.brillitelamps.com](http://www.brillitelamps.com)

# Dimension



# Wiring Guide

Wire Color	SR52000	SR52010	SR52020	SR52030
● Black	GND	GND	GND	GND
● Red	STOP	STOP	TURN	REVERSE
○ White	TAIL	TAIL	/	/
● Yellow	TURN	/	/	/

# Approval no.

PN	ECE R10	ECE R148
SR52000	E9*10R06/02*23468	E9*148R00/04*6673*00
SR52010	E9*10R06/02*23468	E9*148R00/04*6674*00
SR52020	E9*10R06/02*23468	E9*148R00/04*6675*00
SR52030	E9*10R06/02*23468	E9*148R00/04*6676*00

