

Brillite 5" Dual Color Light Head

WR52 & WR42 series



FEATURES

Operation Voltage
12/24VDC

LEDs
6pcs 4 watt

Lens
Clear Polycarbonate

Housing
Die-cast Aluminum

Mounting Type
Screw: 2pcs ST3.5*16

Waterproof
IP67

Operating Temperature
-40°C ~ +65 °C

Storage Temperature
-20°C ~ +65 °C

Weight
84g

Package
Box: 140*35*55mm
Carton: 290*190*290mm
50 pcs/carton

Cable Length
0.3m

Approval
ECE R10
ECE R65 Class 1
CISPR 25 Class 3
SAE J595 Class 2
California Title 13 Class B



Horizontal installation

WR52120

WR52130

WR52230

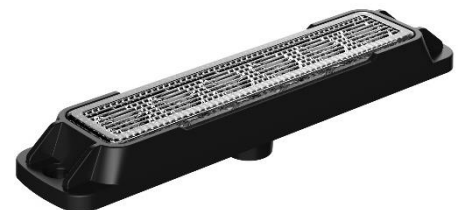


Vertical installation

WR42120

WR42130

WR42230



Brillite introduces energy efficient lighting with LED technology in our multi-volt LED warning lamps.

This LED light head incorporates a long-life LED light source. Using a dedicated LED driver with pulse width modulation constant current supply combines to produce a long lasting, low power consumption and environmentally friendly LED lamp.

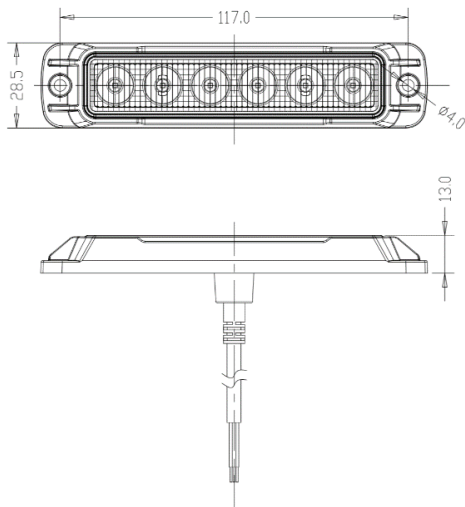
All models are suitable for various types of vehicle.

Brillite
Electronics Technology Co., Ltd.

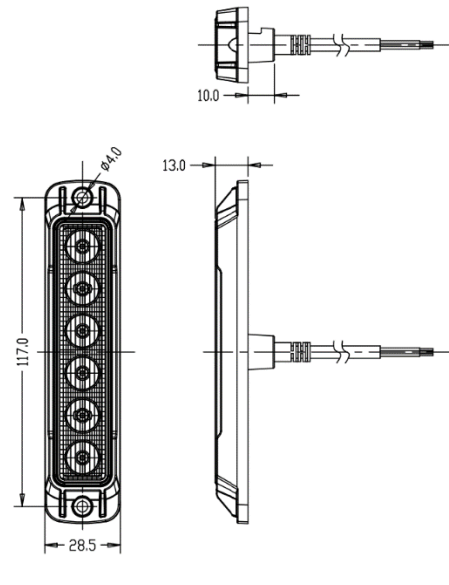
www.brillitelamps.com

Dimension

WR52 series drawing



WR42 series drawing



Wiring Guide

- Red: Positive (+)
- Black: Negative (-)
- Yellow: Pattern switch (20 mode available) & Synchronous
- White: Asynchronous

Pattern Switch

Momentarily apply Red wire to Green wire, once for next pattern.
Touch and hold for 5 seconds to reset to FP#1 (Single Flash R65 Class 2).

Synchronous operation wiring:

Set all lights to the same flash pattern, connect yellow wires together, then power on and keep the yellow wire connected.

Asynchronous operation wiring:

Set all lights to the same flash pattern, connect yellow wires together.
Connect white wire to positive from the one you wish to alternate, and lights will flash alternately.

BRILLITE

PN	R10 (Radiated Emissions)	R65
WR53120	E9-10R-06.22601	
WR53130	E9-10R-06.22601	
WR53230	E9-10R-06.22601	
WR43120	E9-10R-06.22601	
WR43130	E9-10R-06.22601	
WR43230	E9-10R-06.22601	

Flashing Mode

Pattern	Flashing Mode	FPM
1	Single flash, ECE R65 Class 2 (by day)	150
2	Single flash, ECE R65 Class 1 (by night)	150
3	Double Flash	150
4	Quadruple Flash	150
5	Quintuple Flash	150
6	Strobe	1500
7	Combination 1	/
8	Combination 2	/
9	Single Flash, California Title 13	75
10	Combination 3	/
11	Alternate Single Flash	300
12	Alternate Double Flash	300
13	Alternate Quadruple Flash	300
14	Alternate Quintuple Flash	300
15	Alternate Strobe	35
16	Combination 4	/
17	Combination 5	/
18	Combination 6	/
19	Left Double Flash/Right Single Flash	/
20	Cruise (30% brightness by night)	/

