

Brillite 2" Micro Beacon

BA85 Series

May 2019

FEATURES

- 12/24VDC
- LED bulb 1watt*24pcs
- PC lens
- Aluminium die-cast base & cover
- IP67 rated
- Operating temperature -40°C ~ +65 °C
- Storage temperature -20°C ~ +65 °C
- Mounting
Screw: 0.5m cable
Magnet: 2.5m cable+plug
- Weight
Screw mount: 0.39kg
Magnet mount: 0.45kg
- Package 24 pcs/carton
Box: 120*60*165mm
Carton: 495*195*350mm
- Approval
ECE R10
ECE R65 Class 1
CISPR 25 Class 3
SAE J845 Class1



BA8510 

BA8520 

BA8530 



BA8510M25C 

BA8520M25C 

BA8530M25C 

Brillite introduces energy efficient lighting with LED technology in our multi-volt LED beacon warning lamps.

This LED beacon incorporates a long-life LED light source. Using a dedicated LED driver with pulse width modulation constant current supply combines to produce a long lasting, low power consumption and environmentally friendly LED lamp.



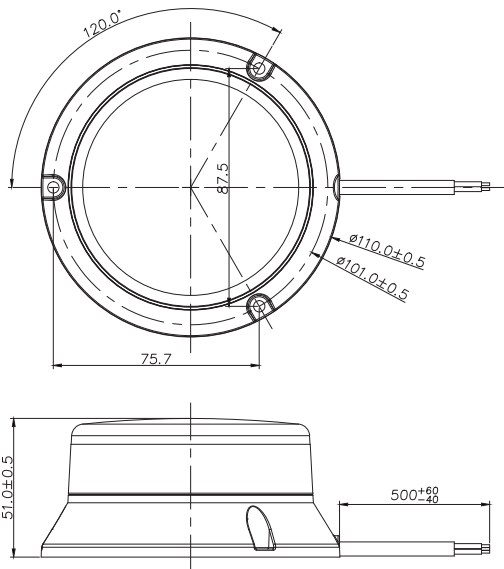
Brillite
Electronics Technology Co., Ltd.

www.brillitelamps.com

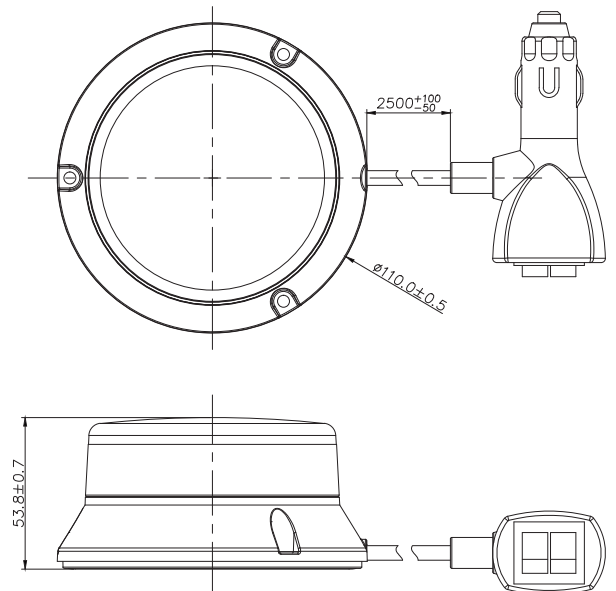
Exploded diagram & drawing



Screw mounting



Magnet mounting



Wiring guide

Red wire: Positive(+)

Black wire: Negative(-)

Yellow wire: Pattern switch (11 patterns available)

BRILLITE

T: +86-20-8370-2610/2605
F: +86-20-8370-2310
E: info@brillitelamps.com