

Brillite 5" Single Color Beacon

BA84 series



FEATURES

Operation Voltage
12/24VDC

Power
- watts

LEDs
32pcs 2 watt

Lens & Housing
Polycarbonate

Cover
Die-cast Aluminum

Mounting Type
Screw: 3pcs ST3.5*16
DIN pole
Magnet with cigar plug

Waterproof
IP67

Operating Temperature
-40°C ~ +65 °C

Storage Temperature
-20°C ~ +65 °C

Weight
By Screw: 0.65kg
By DIN pole: 0.68kg
By Magnet: 0.91kg

Package
Box: 130*130*210mm
Carton: 410*275*440mm
12 pcs/carton

Cable Length
By Screw: 0.5m
By DIN pole: 0.5m
By Magnet: 2.5m

Approval
ECE R10
ECE R65 Class 2
CISPR 25 Class 3
SAE J845 Class1



BA8410



BA8420



BA8430



BA8410D

BA8420D

BA8430D



BA8410M

BA8420M

BA8430M

Brillite introduces energy efficient lighting with LED technology in our multi-volt LED beacon warning lamps.

This LED beacon incorporates a long-life LED light source. Using a dedicated LED driver with pulse width modulation constant current supply combines to produce a long lasting, low power consumption and environmentally friendly LED lamp.

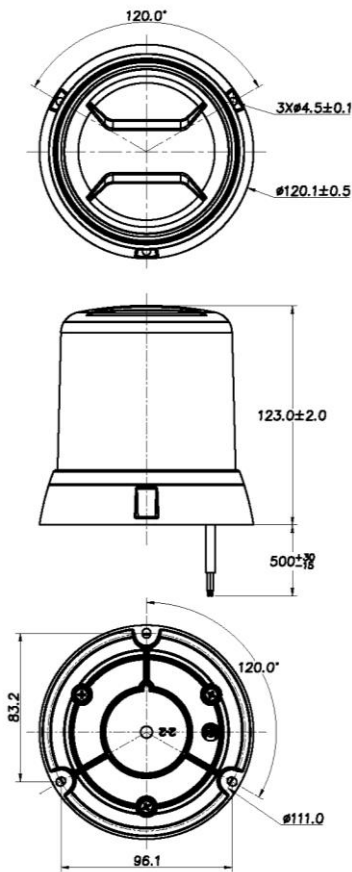
All models are suitable for various types of vehicle.

BRILLITE
Electronics Technology Co., Ltd.

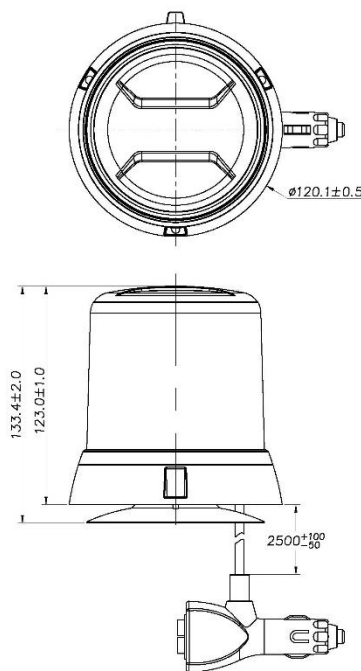
www.brillitelamps.com

Dimension

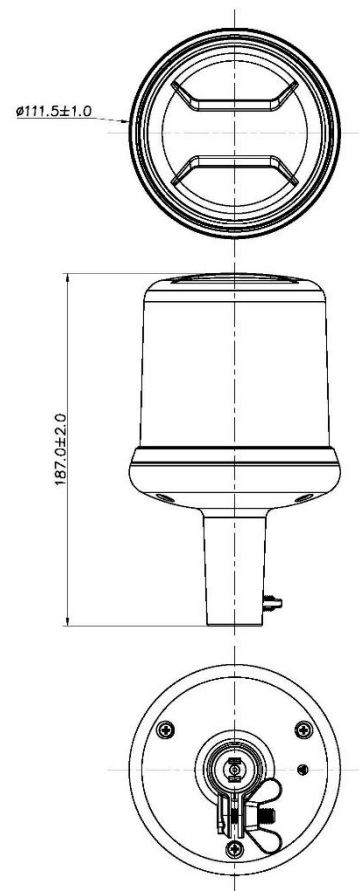
Screw mounting



Magnet mounting



DIN pole mounting



Wiring guide

- Red wire: Positive (+)
- Black wire: Negative (-)
- Yellow wire: Pattern switch (11 mode available) & Synchronous

Synchronous operation wiring:

1, Connect all the positive wires together, connect the negative wires together, and connect the sync wires together.

2, Power on and connect the sync wires to the positive wire for about 3 seconds, then release the sync wire, all the lights enter sync mode.

3, After entering the synchronous mode, connect the connected sync wires to the positive pole of the power supply for about 1 second and then release to switch the flashing mode.

4, If the lights are not synchronized after a period of using, please follow step 2 again.

BRILLITE

T: +86-20-8370-2610
F: +86-20-8370-2310
E: info@brillitelamps.com